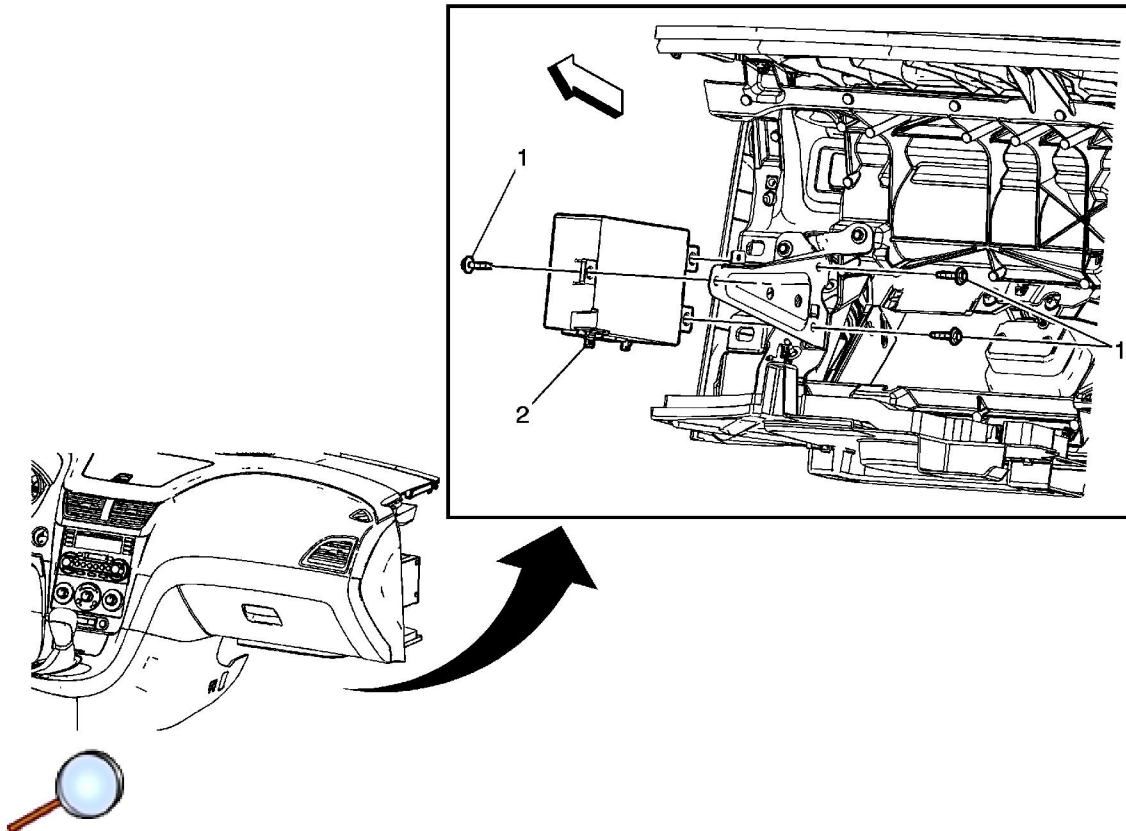


# Communication Interface Module Replacement



Callout	Component Name
<p><b>Preliminary Procedure</b></p> <p>Remove the instrument panel compartment. Refer to <a href="#">Instrument Panel Compartment Replacement</a>. Open Instrument panel compartment fully beyond it's stop bumpers.</p>	
<p>1</p>	<p>Communication Interface Module Bolt (Qty: 3)</p> <p><b>Caution:</b> Refer to <a href="#">Fastener Caution</a> in the Preface section.</p> <p><b>Tighten</b> 10 N·m (89 lb in)</p>
<p>2</p>	<p>Communication Interface Module</p> <p><b>Procedure</b></p> <ol style="list-style-type: none"> <li>1. Disconnect the electrical connections.</li> <li>2. If replacing the communication interface module be sure to transfer Bluetooth antenna, if equipped.</li> <li>3. For programming and set up procedures, refer to <a href="#">Control Module References</a>.</li> </ol>

